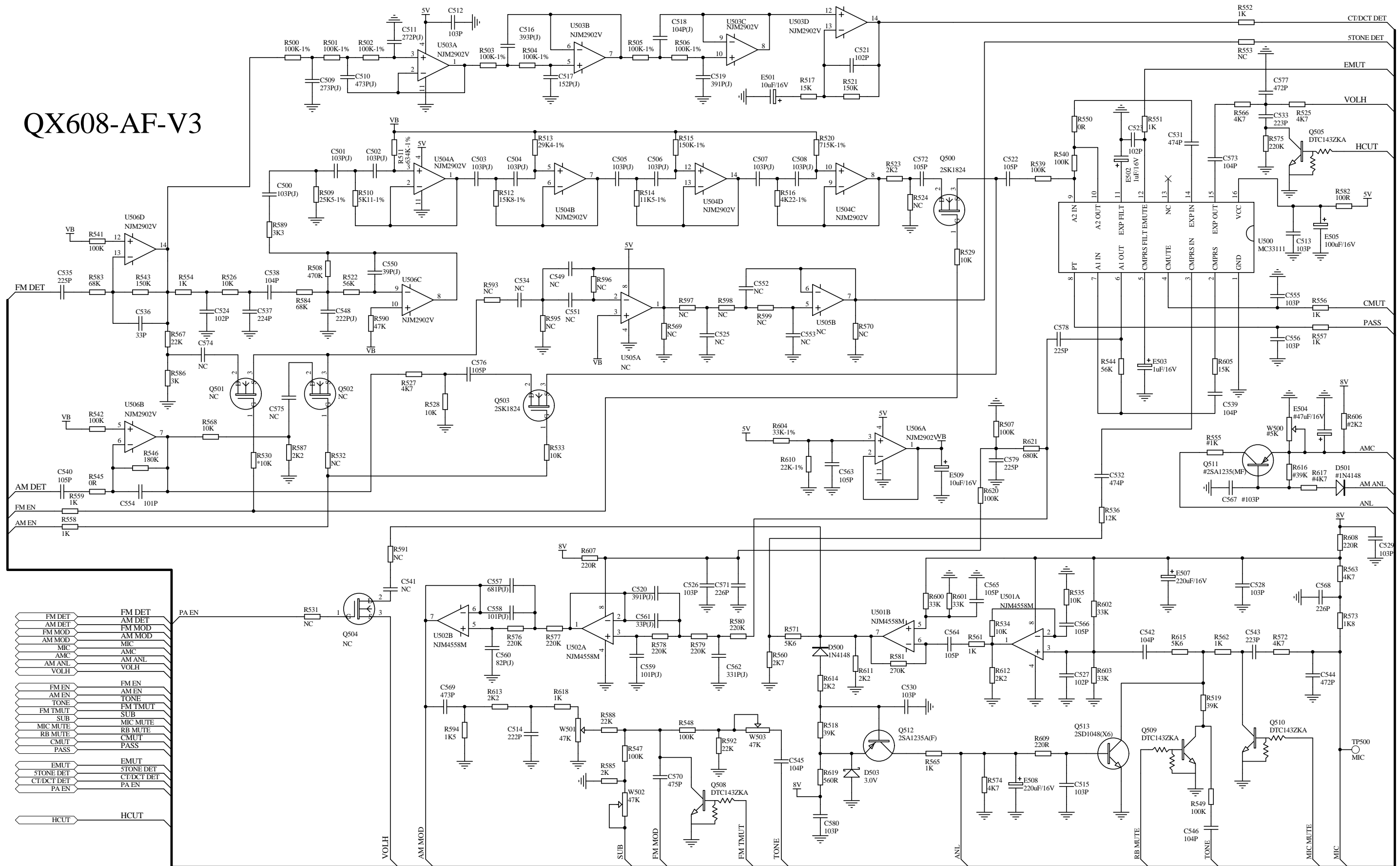


**QX608-RF-V3**

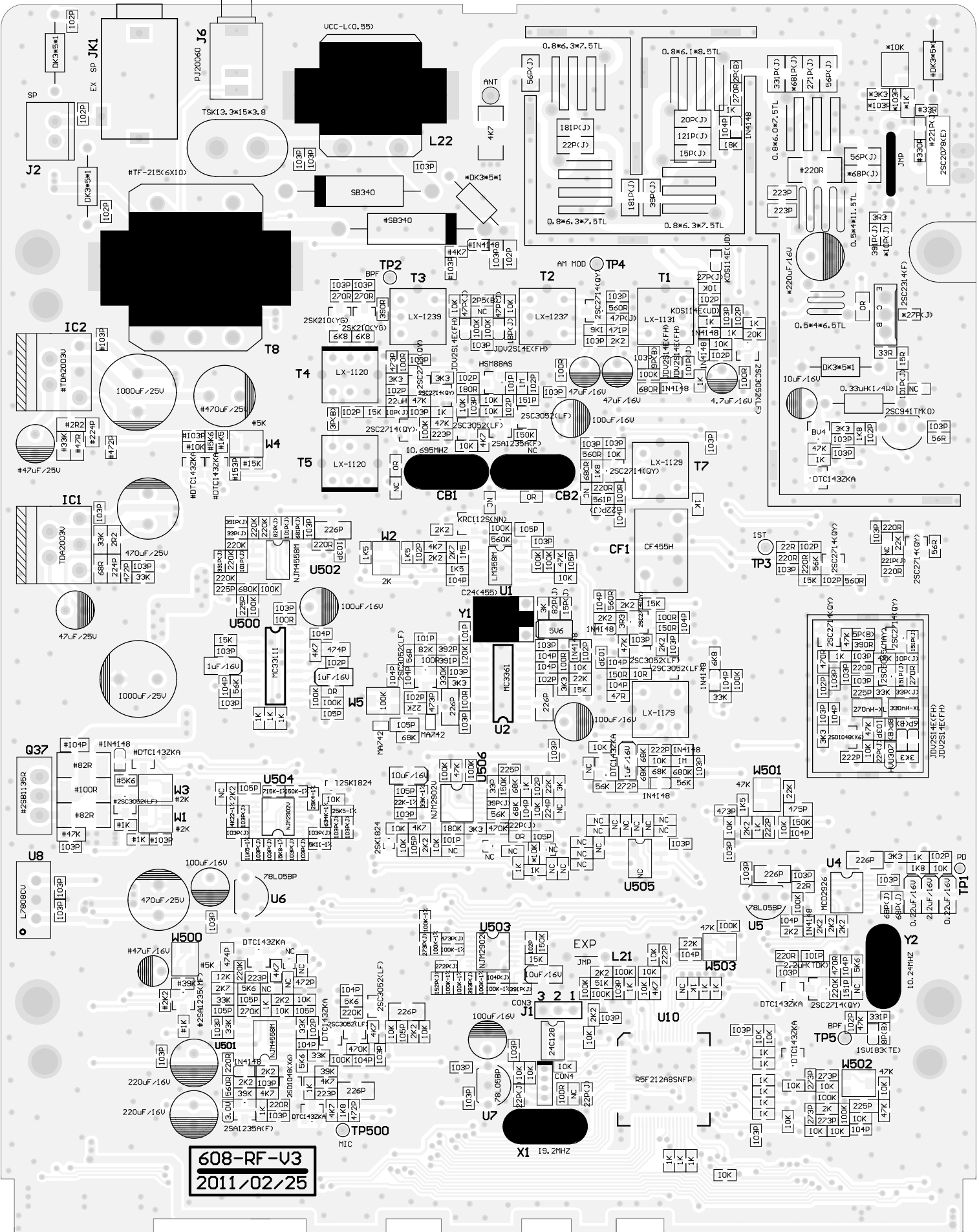
FM DET AM DET FM MOD AM MOD AM MUTE MIC AM AM ANI VOLT FM EN AM EN FM TMT FM TMT SUB MIC MUTE FM MUTE RB MUTE PASS PASS HCU EMUT STONE DET CLK T DET PA EN	P11: R11A9 P12: R12A10 P13: R13A11 P14: R14A12 P15: R15A13 P16: R16A14 P17: R17A15 P18: R18A16 P19: R19A17 P20: R20A18 P21: R21A19 P22: R22A20 P23: R23A21 P24: R24A22 P25: R25A23 P26: R26A24 P27: R27A25 P28: R28A26 P29: R29A27 P30: R30A28 P31: R31A29 P32: R32A30 P33: R33A31 P34: R34A32 P35: R35A33 P36: R36A34 P37: R37A35 P38: R38A36 P39: R39A37 P40: R40A38 P41: R41A39 P42: R42A40 P43: R43A41 P44: R44A42 P45: R45A43 P46: R46A44 P47: R47A45 P48: R48A46 P49: R49A47 P50: R50A48 P51: R51A49 P52: R52A50 P53: R53A51 P54: R54A52 P55: R55A53 P56: R56A54 P57: R57A55 P58: R58A56 P59: R59A57 P60: R60A58 P61: R61A59 P62: R62A60 P63: R63A61 P64: R64A62 P65: R65A63 P66: R66A64 P67: R67A65 P68: R68A66 P69: R69A67 P70: R70A68 P71: R71A69 P72: R72A70 P73: R73A71 P74: R74A72 P75: R75A73 P76: R76A74 P77: R77A75 P78: R78A76 P79: R79A77 P80: R80A78 P81: R81A79 P82: R82A80 P83: R83A81 P84: R84A82 P85: R85A83 P86: R86A84 P87: R87A85 P88: R88A86 P89: R89A87 P90: R90A88 P91: R91A89 P92: R92A90 P93: R93A91 P94: R94A92 P95: R95A93 P96: R96A94 P97: R97A95 P98: R98A96 P99: R99A97 P100: R100A98	P101: R101A99 P102: R102A100 P103: R103A101 P104: R104A102 P105: R105A103 P106: R106A104 P107: R107A105 P108: R108A106 P109: R109A107 P110: R110A108 P111: R111A109 P112: R112A110 P113: R113A111 P114: R114A112 P115: R115A113 P116: R116A114 P117: R117A115 P118: R118A116 P119: R119A117 P120: R120A118 P121: R121A119 P122: R122A120 P123: R123A121 P124: R124A122 P125: R125A123 P126: R126A124 P127: R127A125 P128: R128A126 P129: R129A127 P130: R130A128 P131: R131A129 P132: R132A130 P133: R133A131 P134: R134A132 P135: R135A133 P136: R136A134 P137: R137A135 P138: R138A136 P139: R139A137 P140: R140A138 P141: R141A139 P142: R142A140 P143: R143A141 P144: R144A142 P145: R145A143 P146: R146A144 P147: R147A145 P148: R148A146 P149: R149A147 P150: R150A148 P151: R151A149 P152: R152A150 P153: R153A151 P154: R154A152 P155: R155A153 P156: R156A154 P157: R157A155 P158: R158A156 P159: R159A157 P160: R160A158 P161: R161A159 P162: R162A160 P163: R163A161 P164: R164A162 P165: R165A163 P166: R166A164 P167: R167A165 P168: R168A166 P169: R169A167 P170: R170A168	P171: R171A169 P172: R172A170 P173: R173A171 P174: R174A172 P175: R175A173 P176: R176A174 P177: R177A175 P178: R178A176 P179: R179A177 P180: R180A178 P181: R181A179 P182: R182A180 P183: R183A181 P184: R184A182 P185: R185A183 P186: R186A184 P187: R187A185 P188: R188A186 P189: R189A187 P190: R190A188 P191: R191A189 P192: R192A190 P193: R193A191 P194: R194A192 P195: R195A193 P196: R196A194 P197: R197A195 P198: R198A196 P199: R199A197 P200: R200A198 P201: R201A199 P202: R202A200 P203: R203A201 P204: R204A202 P205: R205A203 P206: R206A204 P207: R207A205 P208: R208A206 P209: R209A207 P210: R210A208 P211: R211A209 P212: R212A210 P213: R213A211 P214: R214A212 P215: R215A213 P216: R216A214 P217: R217A215 P218: R218A216 P219: R219A217 P220: R220A218 P221: R221A219 P222: R222A220 P223: R223A221 P224: R224A222 P225: R225A223 P226: R226A224 P227: R227A225 P228: R228A226 P229: R229A227 P230: R230A228 P231: R231A229 P232: R232A230 P233: R233A231 P234: R234A232 P235: R235A233 P236: R236A234 P237: R237A235 P238: R238A236 P239: R239A237 P240: R240A238 P241: R241A239 P242: R242A240 P243: R243A241 P244: R244A242 P245: R245A243 P246: R246A244 P247: R247A245 P248: R248A246 P249: R249A247 P250: R250A248
---	---	---	--

# QX608-AF-V3



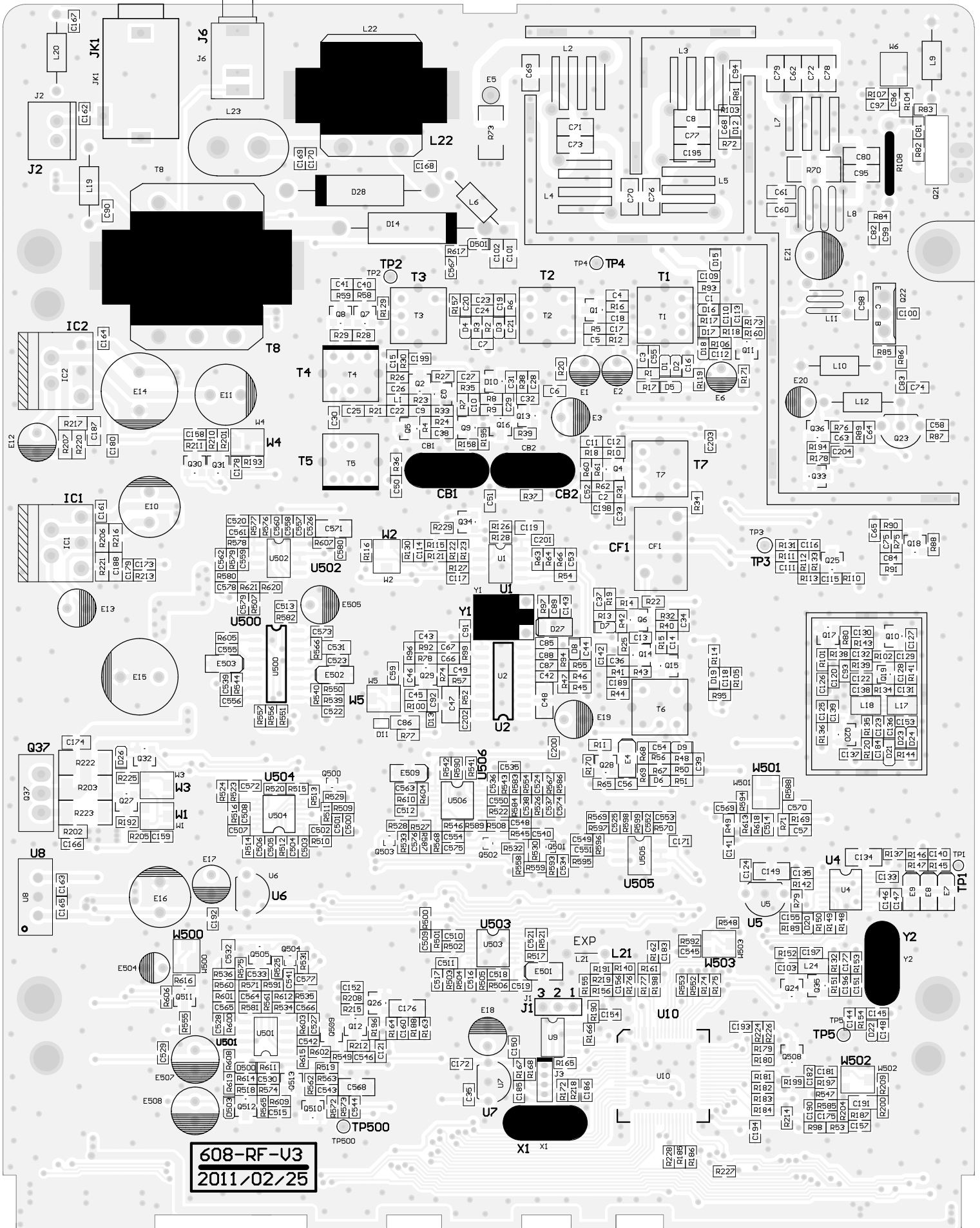
FM DET	FM DET	PA EN
AM DET	AM DET	
FM MOD	FM MOD	
AM MOD	AM MOD	
MIC	MIC	
AMC	AMC	
AM ANL	AM ANL	
VOLH	VOLH	
FM EN	FM EN	
AM EN	AM EN	
STONE	STONE	
TONE	TONE	
FM TMUT	FM TMUT	
SUB	SUB	
MIC MUTE	MIC MUTE	
RB MUTE	RB MUTE	
CMUT	CMUT	
PASS	PASS	
EMUT	EMUT	
STONE DET	STONE DET	
CT/DCT DET	CT/DCT DET	
PA EN	PA EN	
HCUT	HCUT	

# QX608-RF-U3



**608-RF-U3**  
**2011/02/25**

# QX608-RF-U3



608-RF-U3  
2011/02/25